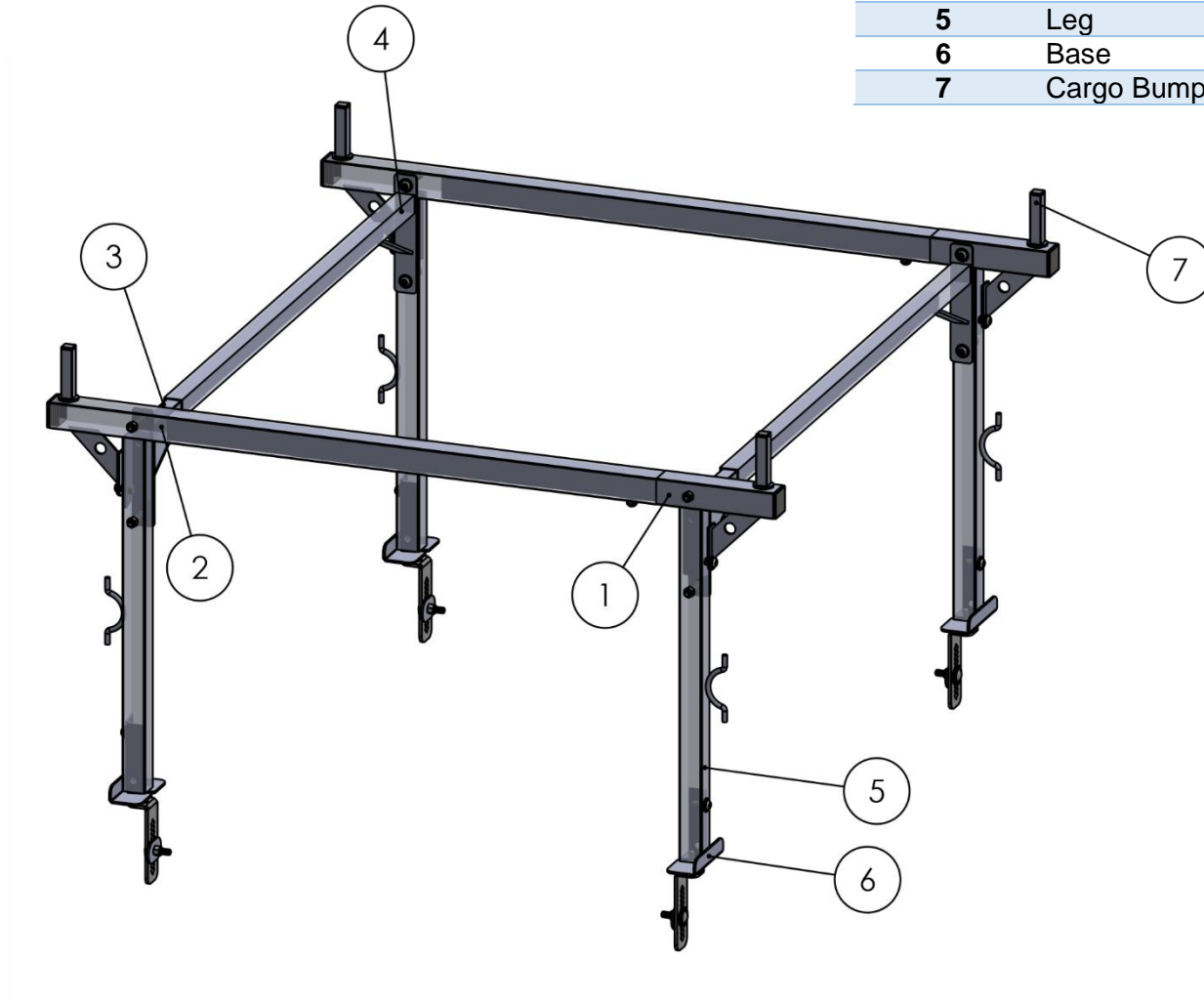




Stake Pocket Wide Rack (Universal)

MADE IN THE USA

Item NO.	Description	Qty.
1	Male Crossbar	2
2	Female Crossbar	2
3	Male Siderail	2
4	Female Siderail	2
5	Leg	4
6	Base	4
7	Cargo Bumper	4

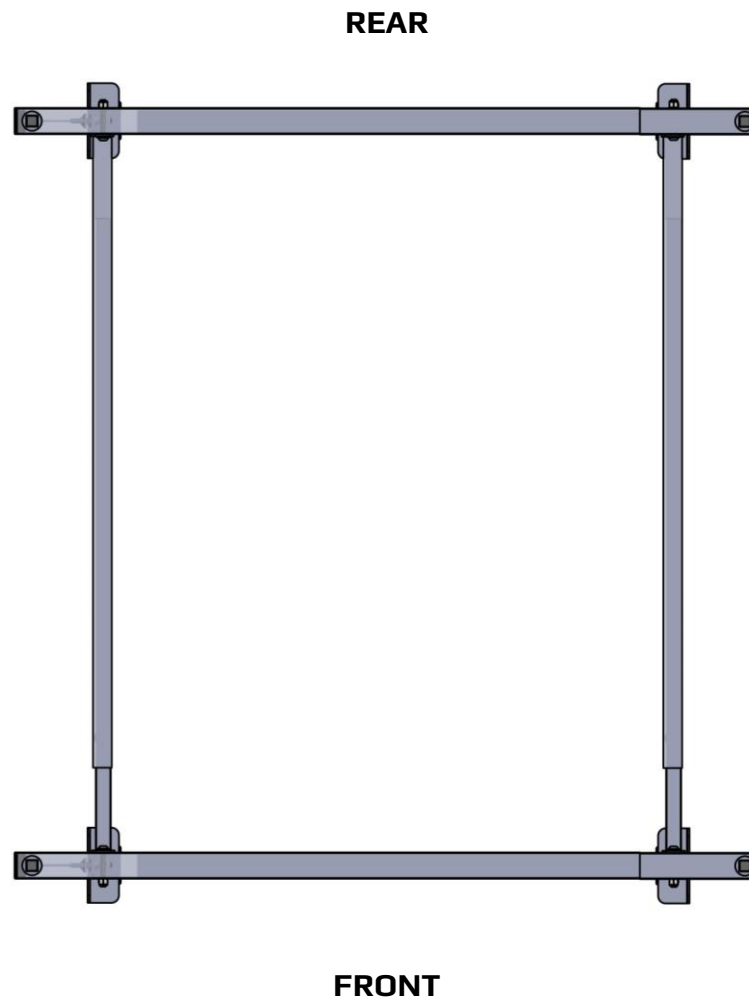
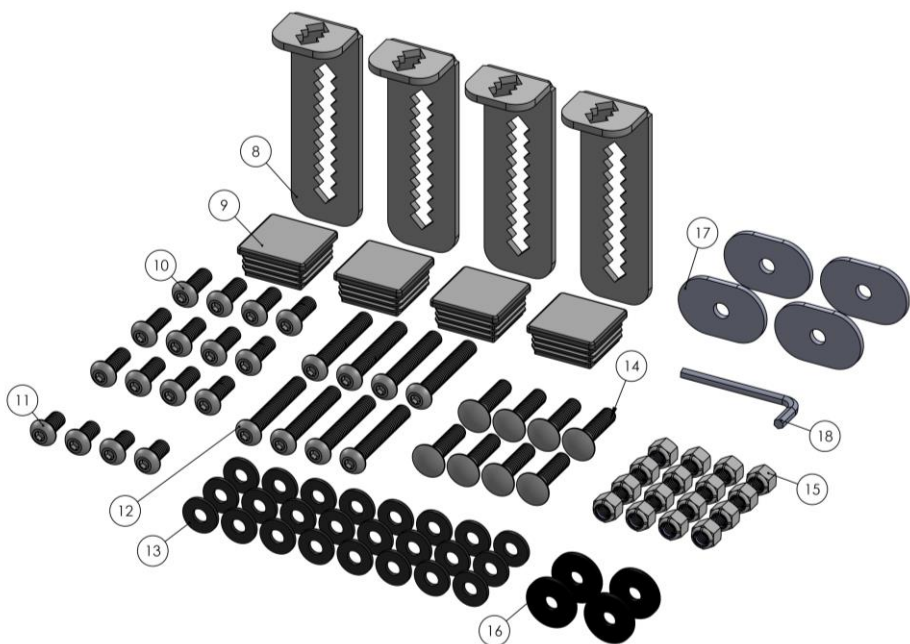




Stake Pocket Wide Rack (Universal)

MADE IN THE USA

Item NO.	Description	Qty.
8	Universal Stake Pocket Insert	4
9	1.75" x 1.75" Crossbar End Cap	4
10	3/8" – 16 x 1" Button Head Screw	12
11	3/8" – 16 x 3/4" Button Head Screw	4
12	3/8" – 16 x 2.5" Button Head Screw	8
13	3/8" X 7/8" Metal Washer	24
14	3/8" – 16 x 1.5" Carriage Bolt	8
15	3/8" – 16 Nylon Lock Nut	16
16	Rubber Washer for Univ. Stake	4
17	Obround Washer for Univ. Stake	4
18	Allen Wrench	1



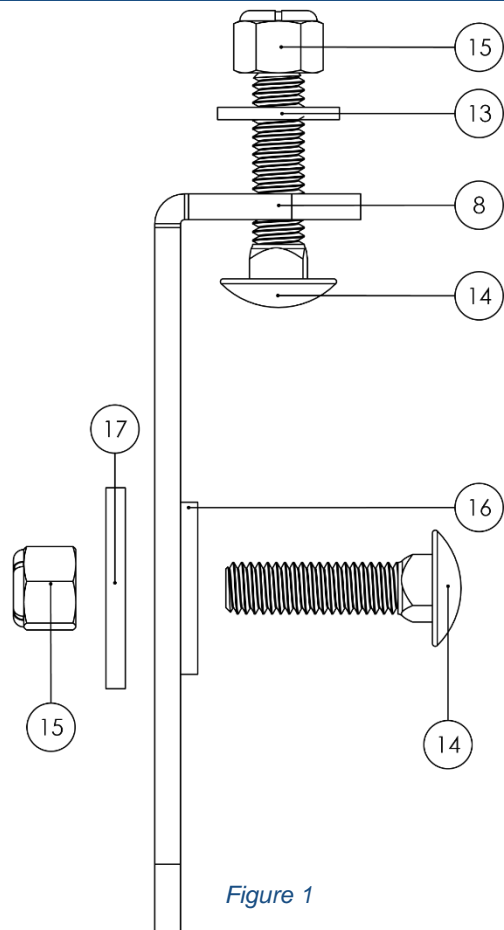


Figure 1

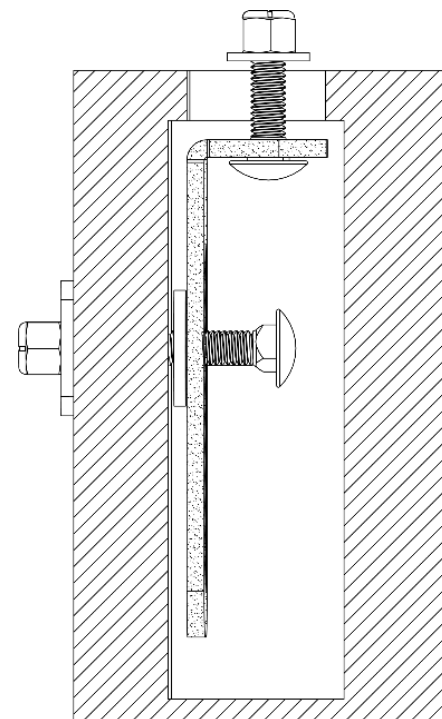


Figure 2

- 1. Install the Stake Pocket Insert Plates.** To install the Bases (Item No. 6) you must first install the Stake Pocket Insert Plates (Item No. 8). These Stake Plates will be held by two bolt assemblies and be put together in the order as shown in Figure 1. The top bolt assembly will hold the base while the bottom will provide additional stabilization to the rack. Begin by threading the top bolt assembly onto the Stake Pocket Insert Plate but allow the Lock Nut (Item No. 15) to sit at the top of its thread. Follow up with the bottom bolt assembly by only inserting the 1.5" Carriage Bolt (Item No. 14) for now. Next, insert the Stake Pocket Insert Plate into your truck's stake pocket. It may be necessary to tilt the plate diagonally if you are having difficulties during insertion. Complete the installation by tightening both bolt assemblies at increasing firmness. If necessary, use the provided Rubber Washer (Item No. 16) to stabilize and reduce the gap between the plate and the truck's bed frame.

2. **Install the Rack Bases.** Examine the Bases (Item No. 6) and notice the upright flange. The base must be positioned so that this flange is on the outside of the bed as shown in Figure 3. To install the base, place it on the truck bedrail and position it so that the opening found on the bottom of the base is aligned with the bolt projecting up out of the stake pocket. As shown in Figure 4, slide the base forward so that its bottom can be clasped between the Carriage Bolt (Item No. 14), the Washer (Item No. 13) and the Lock Nut (Item No. 15). Once the base has been pushed forward, use a wrench to tighten the assembly until the washer and lock nut are in contact with the bottom of the base. **DON'T forget to apply a little grease to the screws before tightening or it may be hard to remove the nuts later.**

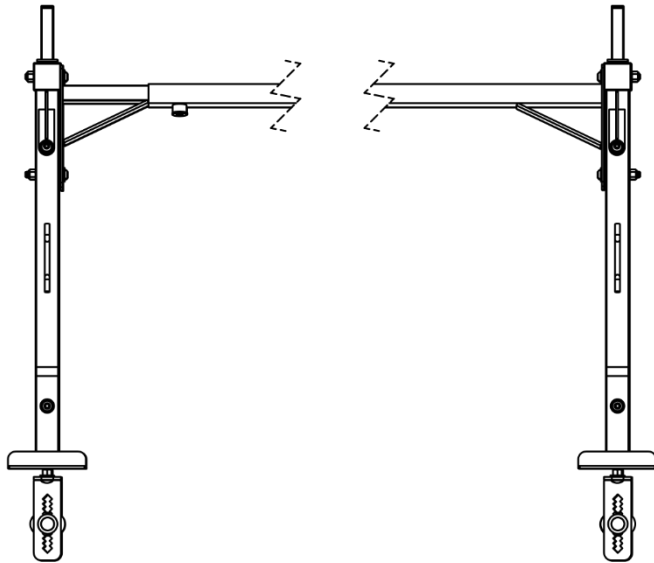


Figure 3

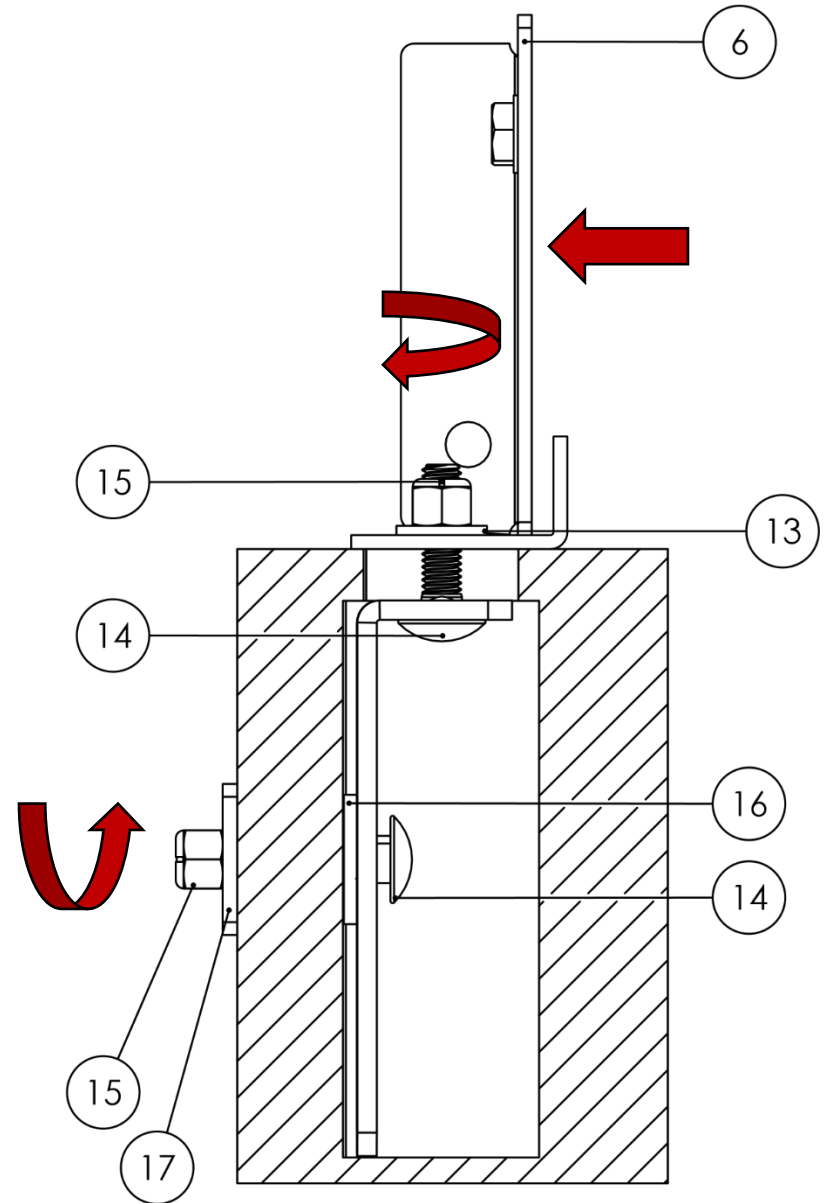
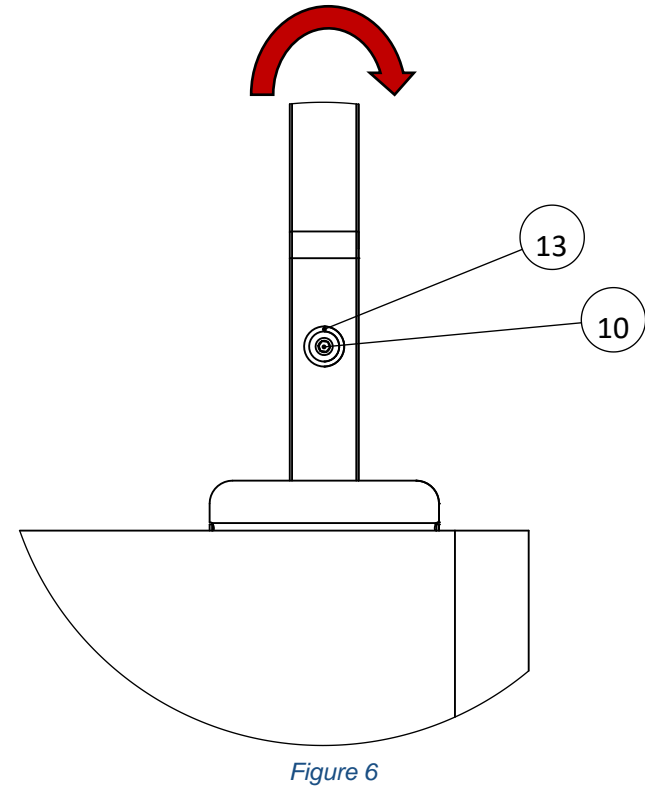
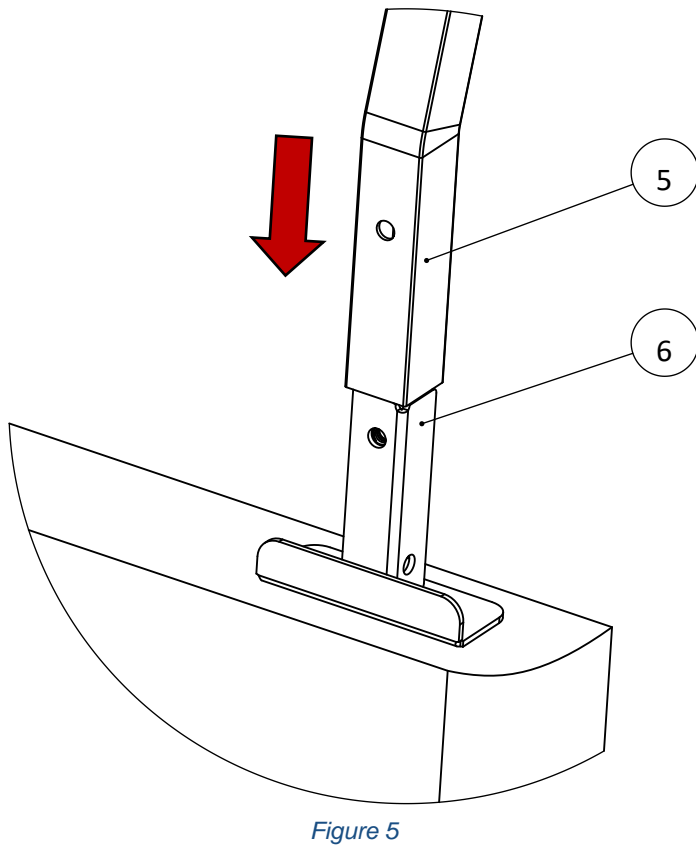


Figure 4

3. **Attach the Legs to the Bases.** Examine the Legs (**Item No. 5**) and notice the holes drilled on the outside of each leg. As shown in **Figure 5**, slide the leg down and align it so that its hole lines up concentrically with the hole found on the Base (**Item No. 6**).



3. Secure the parts together by threading a 1" Button Head Cap Screw (**Item No. 10**) with Washer (**Item No. 13**) into the holes. To allow for easier assembly, lightly tighten the screws for now.

4. **Assemble the Crossbars.** Slide both Male Crossbars (Item No. 1) into the Female Crossbars (Item No. 2).

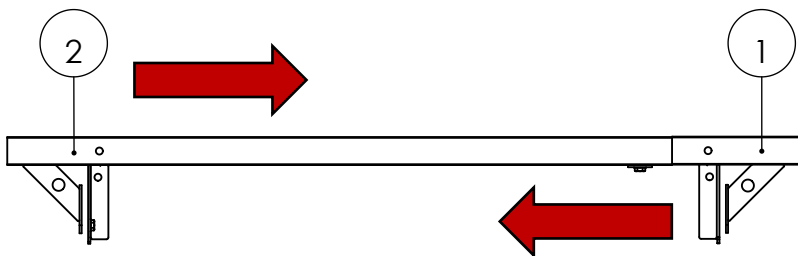


Figure 7

6. **Secure the Crossbars.** Once within the Legs (Item No. 5), lock the Crossbars' position by threading a $\frac{3}{4}$ " Button Head Screw (Item No. 11) into the position shown in Figure 9. This screw adds to the stability of the Crossbars.

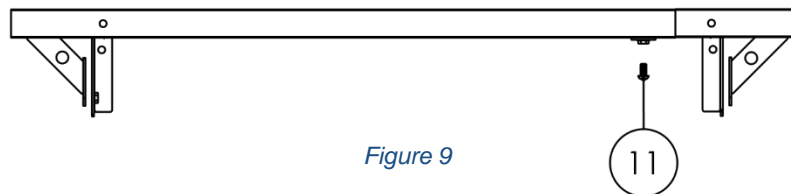


Figure 9

5. **Attach the Crossbars onto the Legs.** Slide the Crossbars (Item No. 1 & 2) into the rack's Legs (Item No. 5).

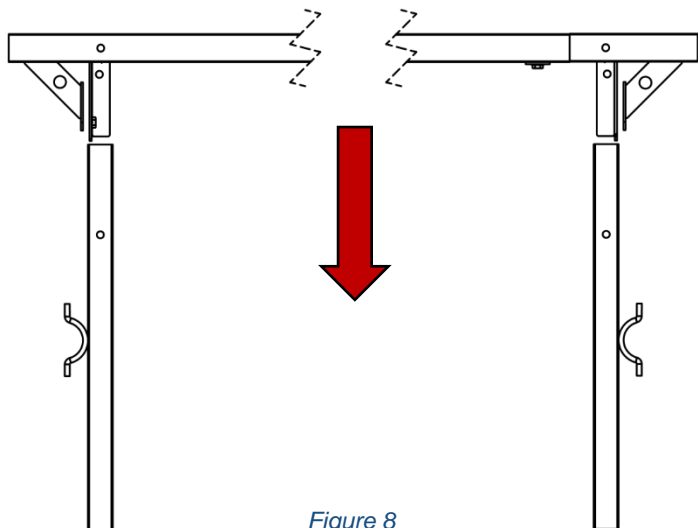


Figure 8

7. **Secure the Crossbars onto the Legs.** Notice the concentric holes found on the side of the Legs. Secure the parts together by threading a 1" Button Head Cap Screw (Item No. 10) with Washer (Item No. 13) into the holes.

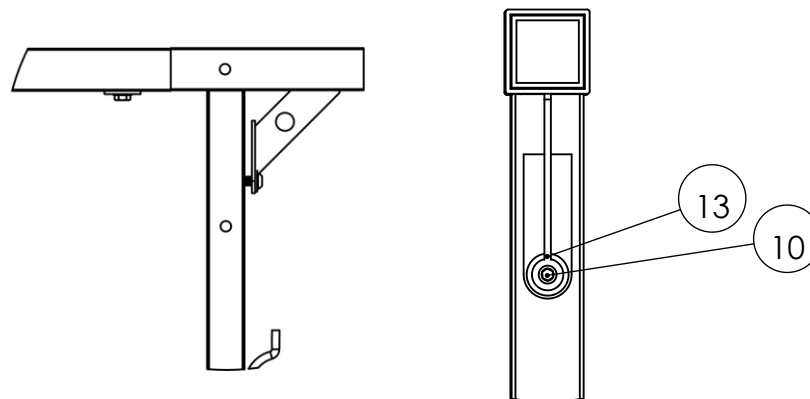


Figure 10

8. **Assemble the Siderails.** Slide both Male Siderails (Item No. 3) into the Female Siderails (Item No. 4).

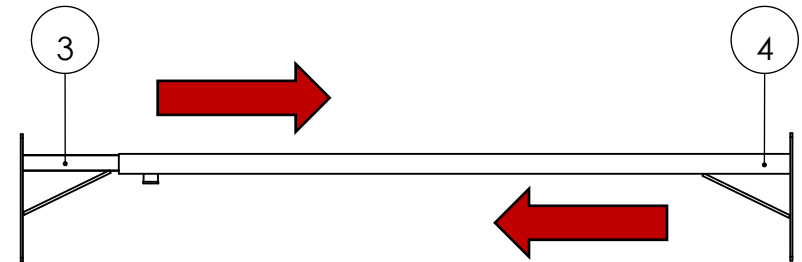


Figure 11

9. **Secure the Siderails onto the Legs.** Locate the holes found on the back of the Crossbars and the Legs. These holes will be used to secure the Siderails onto the rack. As shown in Figure 12 thread (2) 2.5" Button Head Screws (Item No. 12) with Metal Washers (Item No. 13) and Locknuts (Item No. 15) at every corner.

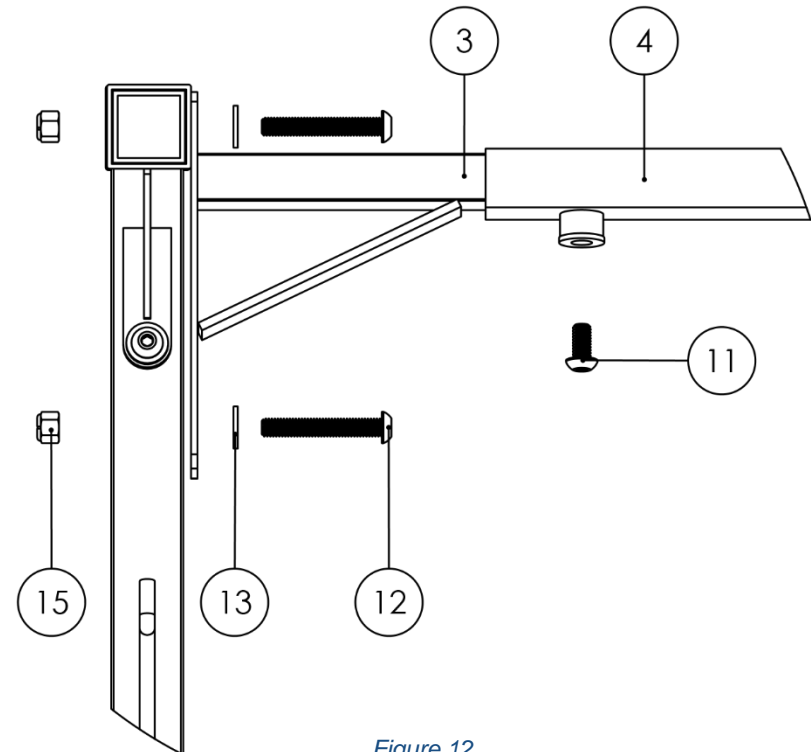
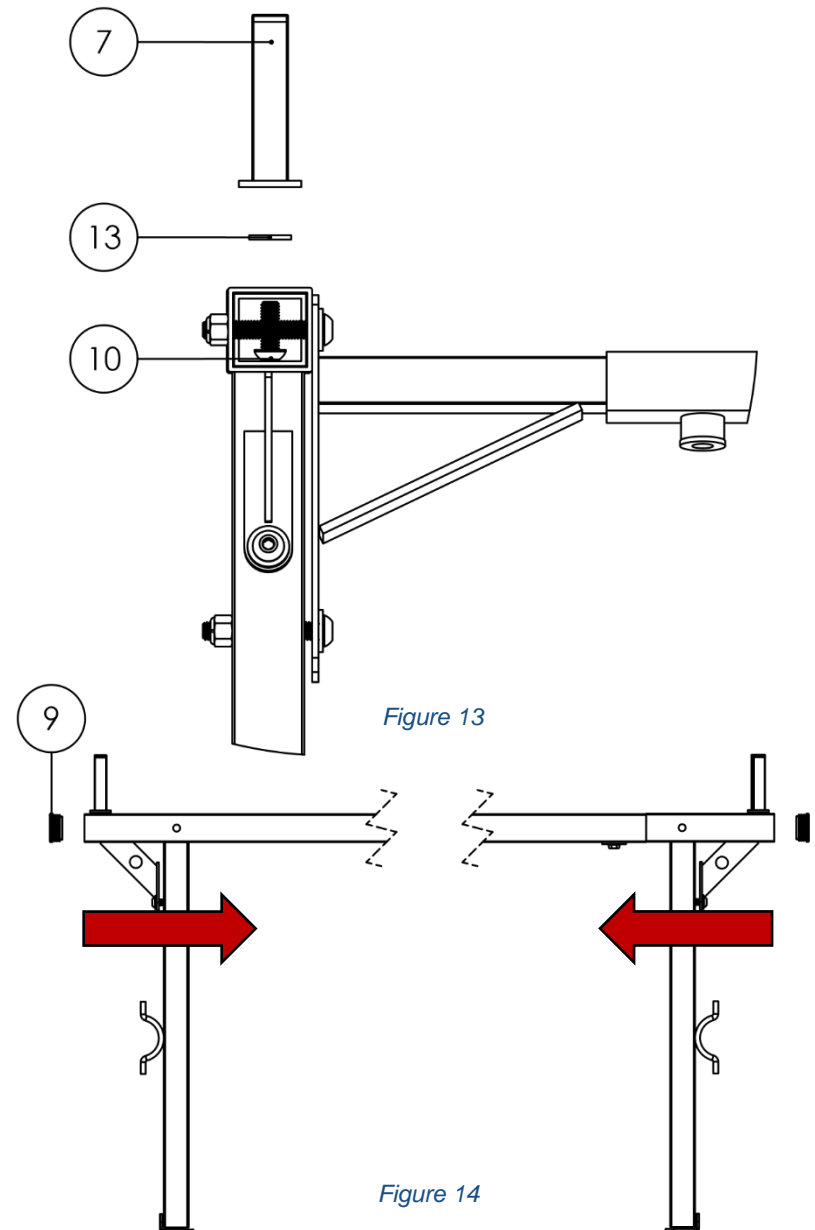


Figure 12

10. **Secure the position of the Siderails.** Locate the threaded hole found under the Female Siderail (Item No. 4). Finish securing the Siderails by threading a 3/4" Button Head Screw (Item No. 11) into this hole.

11. **Install the overhead Cargo Bumpers.** Secure the overhead Cargo Bumpers (Item No. 7) by threading a 1" Button Head Screw (Item No. 10) with a Metal Washer (Item No. 13).

12. **Replace the Crossbar End Caps.** Slide the Crossbar End Caps (Item No. 9) into the ends of each Crossbar.





Stake Pocket Wide Rack (Universal)

MADE IN THE USA

REMEMBER TO BE SAFE: Carrying any load can be hazardous. Avoid roll over. As with all racks, ensure that loads are not top-heavy. Loads should be placed so that the center of mass of the load is no closer than 24" from the sides of the rack. High loads must be transported with **GREAT CAUTION** to prevent loads from striking low overhead objects and from tipping during turns, abrupt stops, or high winds. Loads extending beyond the rear bumper of the vehicle must be designated with a red flag during daylight or red light during darkness in accordance with the state vehicle code.

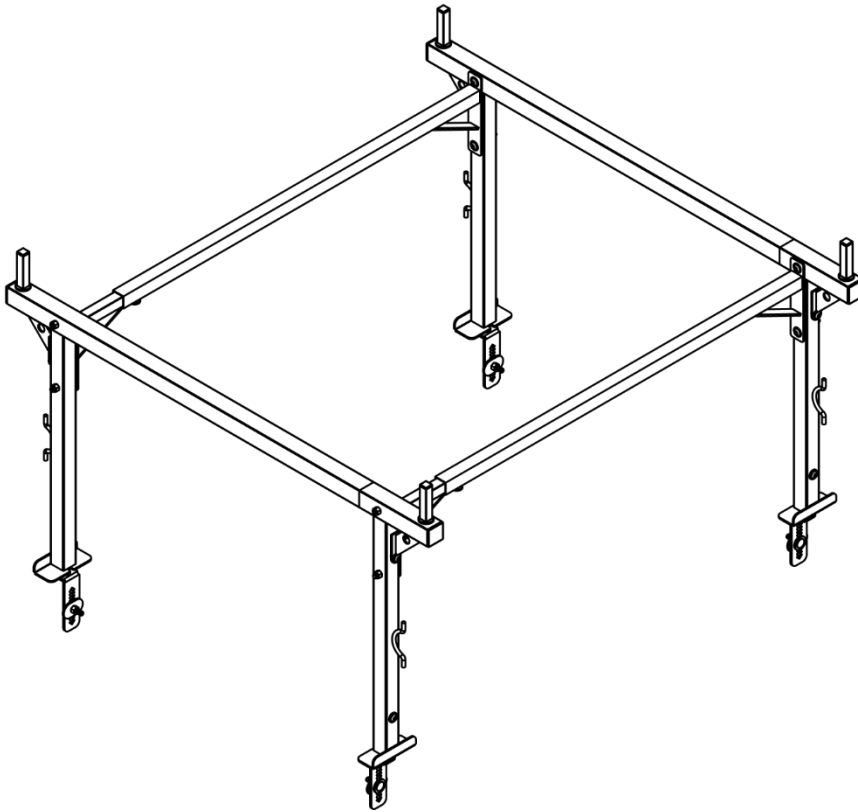


Figure 15

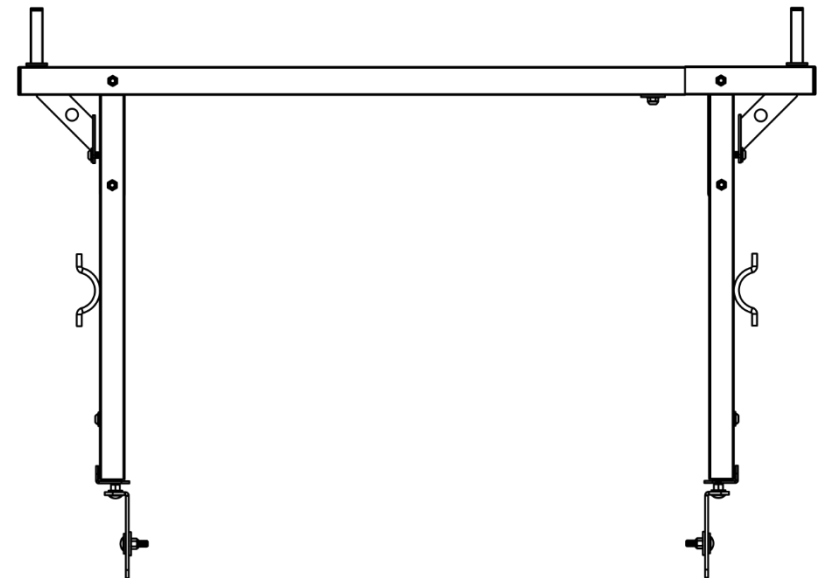


Figure 16

- Tighten all screws and nuts on the rack firmly** with the Allen wrench. It is best to tighten each screw with increasing firmness as you move around to various fasteners so that you can check the alignment of the parts. When finished, all fasteners should be firmly tightened but not so firmly that the truck, rack components, or fasteners are stripped or damaged. When completed, the assembly should appear like what is shown above where all members of the rack are held rigidly together. Complete the assembly by applying horizontal pressure to the rack to ensure that the rack's base and the stake pocket components are unable to move. Frequently check the tightness of any threaded parts.